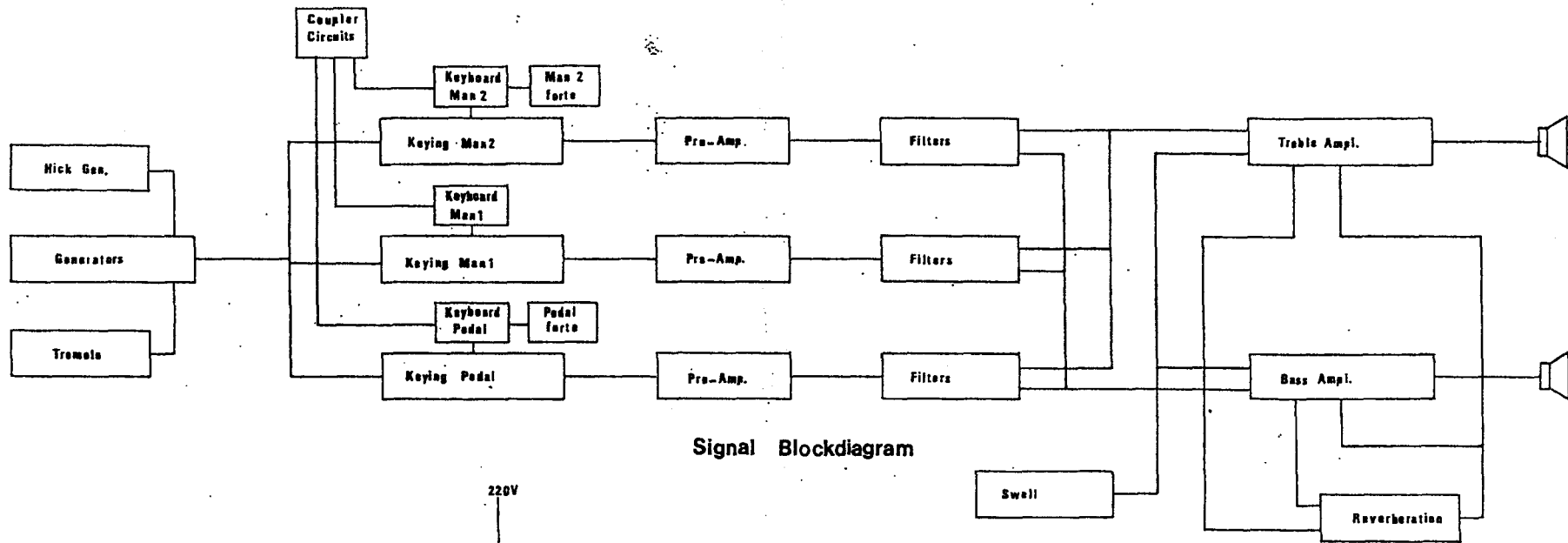


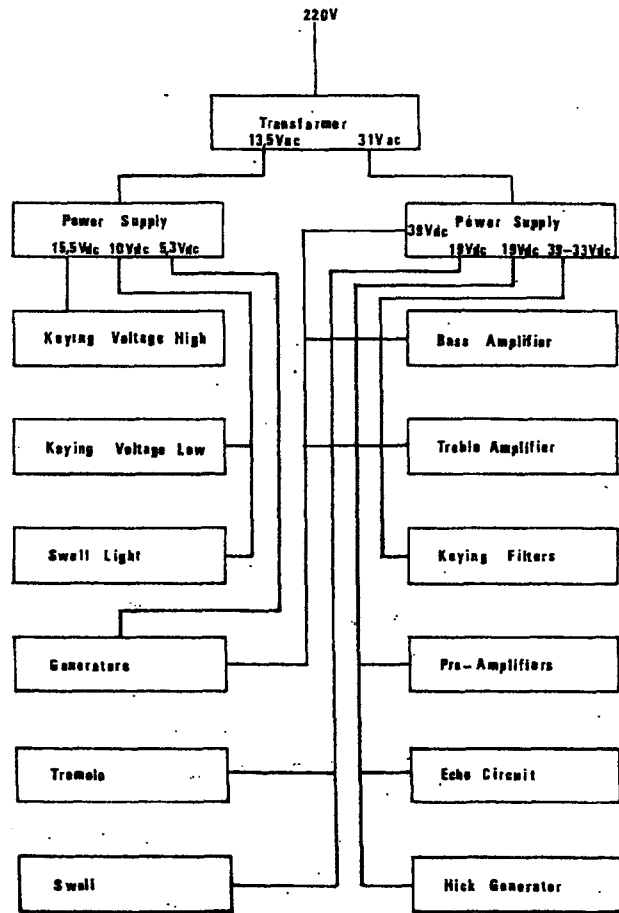
=====
= S C H E M A T I C D I A G R A M S =
= J O H A N N U S =
= O P U S 6 =
= alterations reserved =

OPUS 6
=====

1	Signal and power blockdiagram
2	Power supply
3	Tone generators
4	Keying circuits
5	Pre-Amplifiers Manual 1
6	Pre-Amplifiers Reeds, Pedal and Manual 2
7	Voicing Circuits Manual 1
8	Voicing Circuits Pedal and Manual 2
9	Power Amplifier Circuit
10	Echo unit
11	Control circuit of echo unit
12	Preset and coupler system
13	Keying chart
14	Adjustments

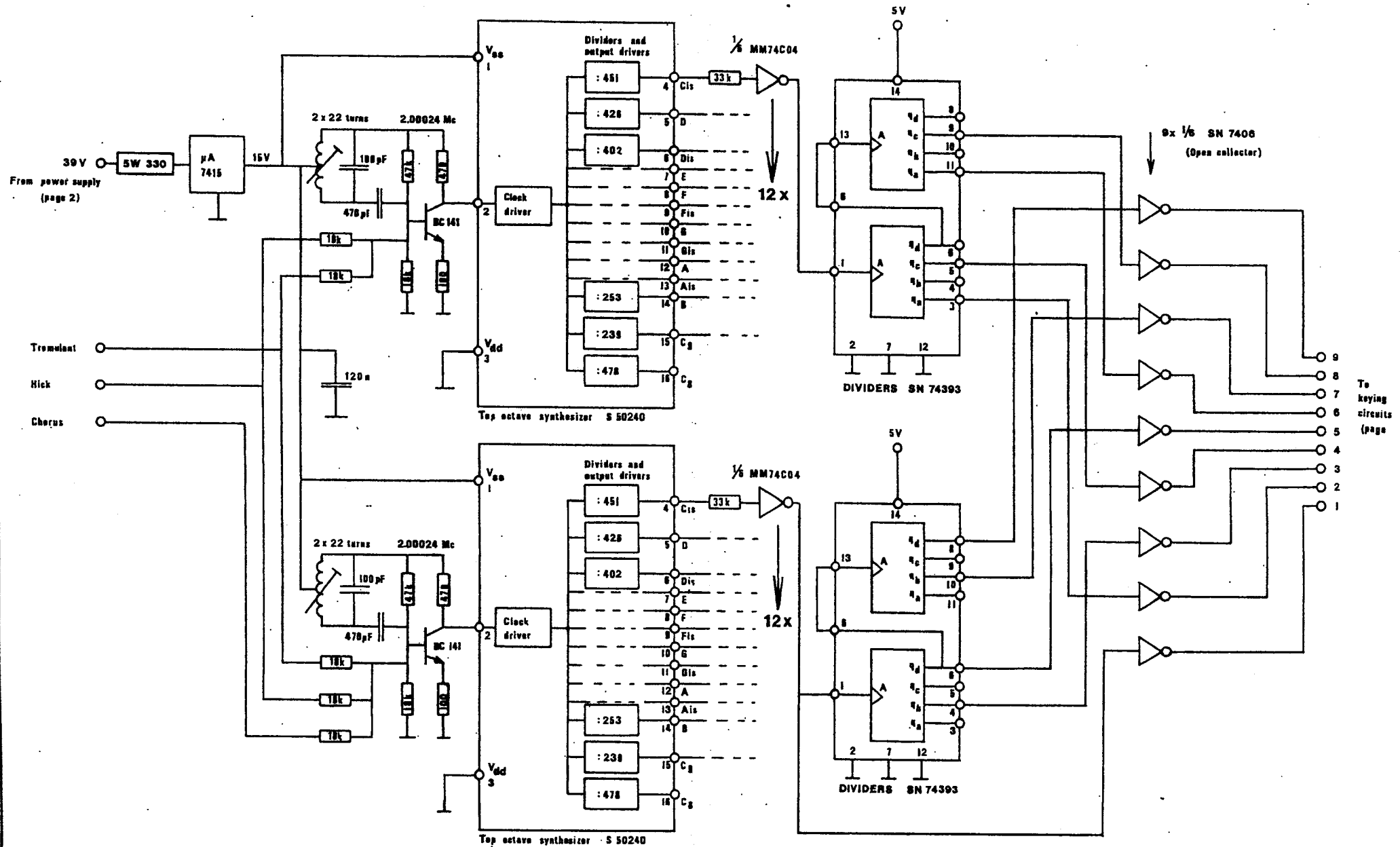


Signal Blockdiagram



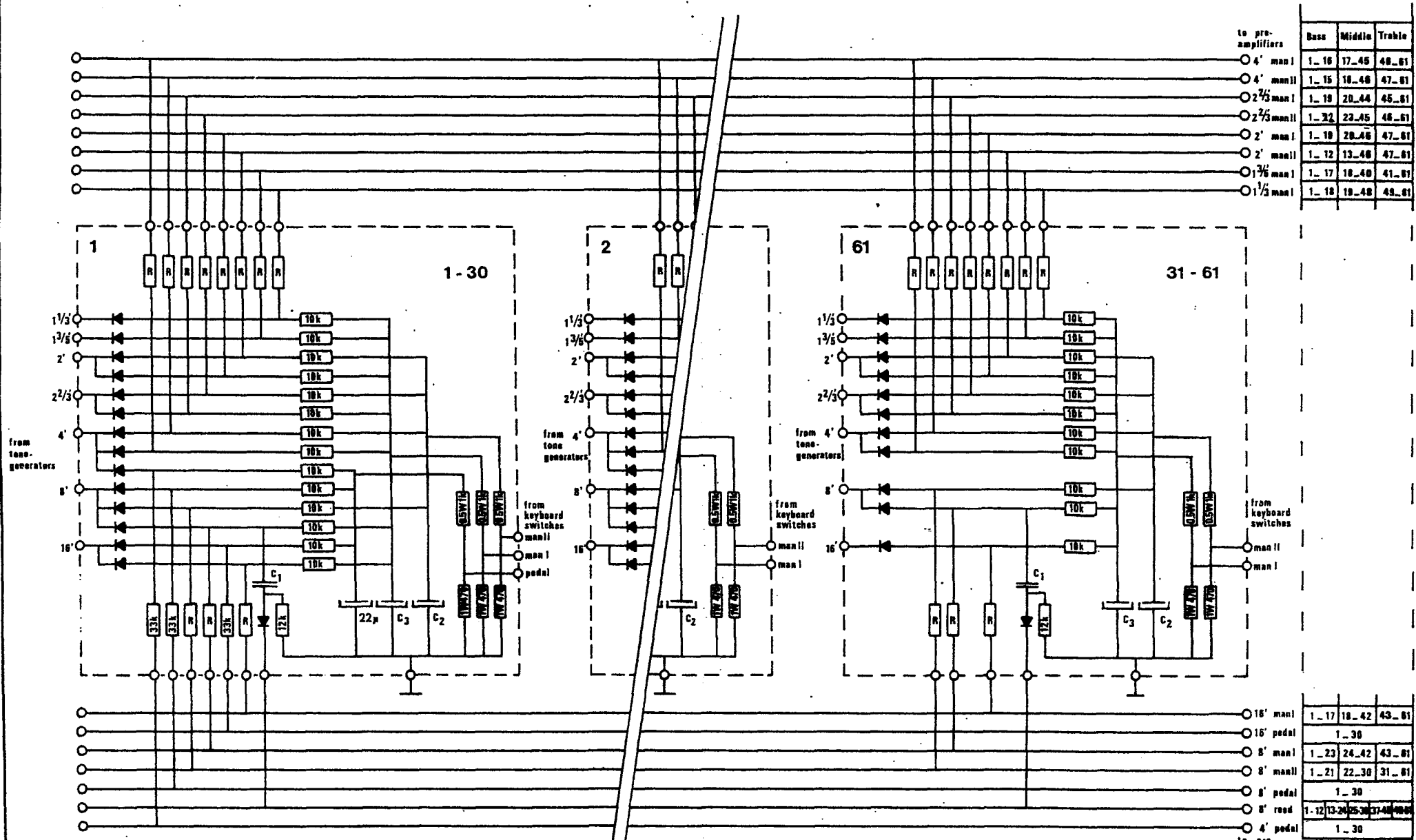
Power Blockdiagram

SIGNAL AND POWER BLOCKDIAGRAM			
Drawn	Date	Modified	Date
J.PETERS	28-3-79		
DESIGN			JOHANNUS ORGAN OPUS 6
J. VERSTEEGT			
copyright:	J. VERSTEEGT	JOHANNUS ORGELBOUW b.v.	morsestraat 28 6716 AH EDE HOLLAND Tel. 08380-19148
			page: 1



TONE GENERATORS			
Drawn	Date	Modified	Date
T v Monea	14 2 1979	K v M	18-11-79
DESIGN			
LAB			
copyright:	JOHANNUS		morsestraat 28
J. VERSTEEGT	ORGELBOUW b.v.	8716 AH EDE HOLLAND	
		Tel. 04300.10148	
			page: 3

JOHANNUS
ORGAN
OPUS 6



to pre-amplifiers	Base	Middin	Treble
○ 4' man I	1_16	17_45	48_81
○ 4' man II	1_15	18_48	47_81
○ 2 2/3' man I	1_18	20_44	45_81
○ 2 2/3' man II	1_22	23_45	46_81
○ 2' man I	1_19	28_46	47_81
○ 2' man II	1_12	13_48	47_81
○ 1 3/4' man I	1_17	18_48	41_81
○ 1 1/2' man I	1_18	18_48	48_81

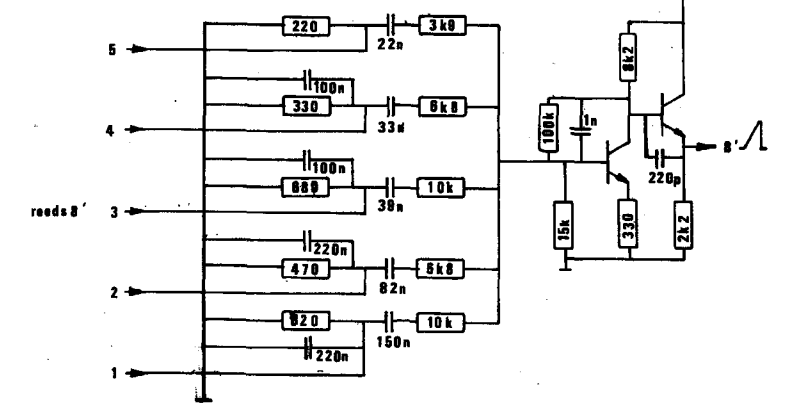
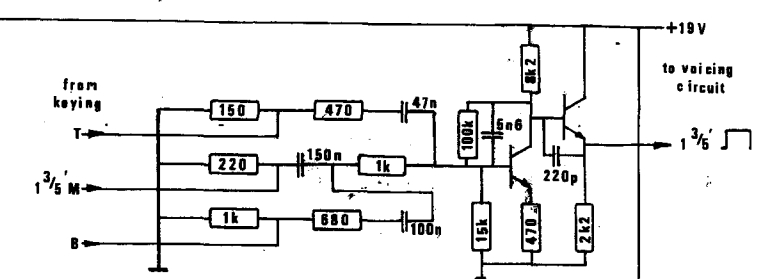
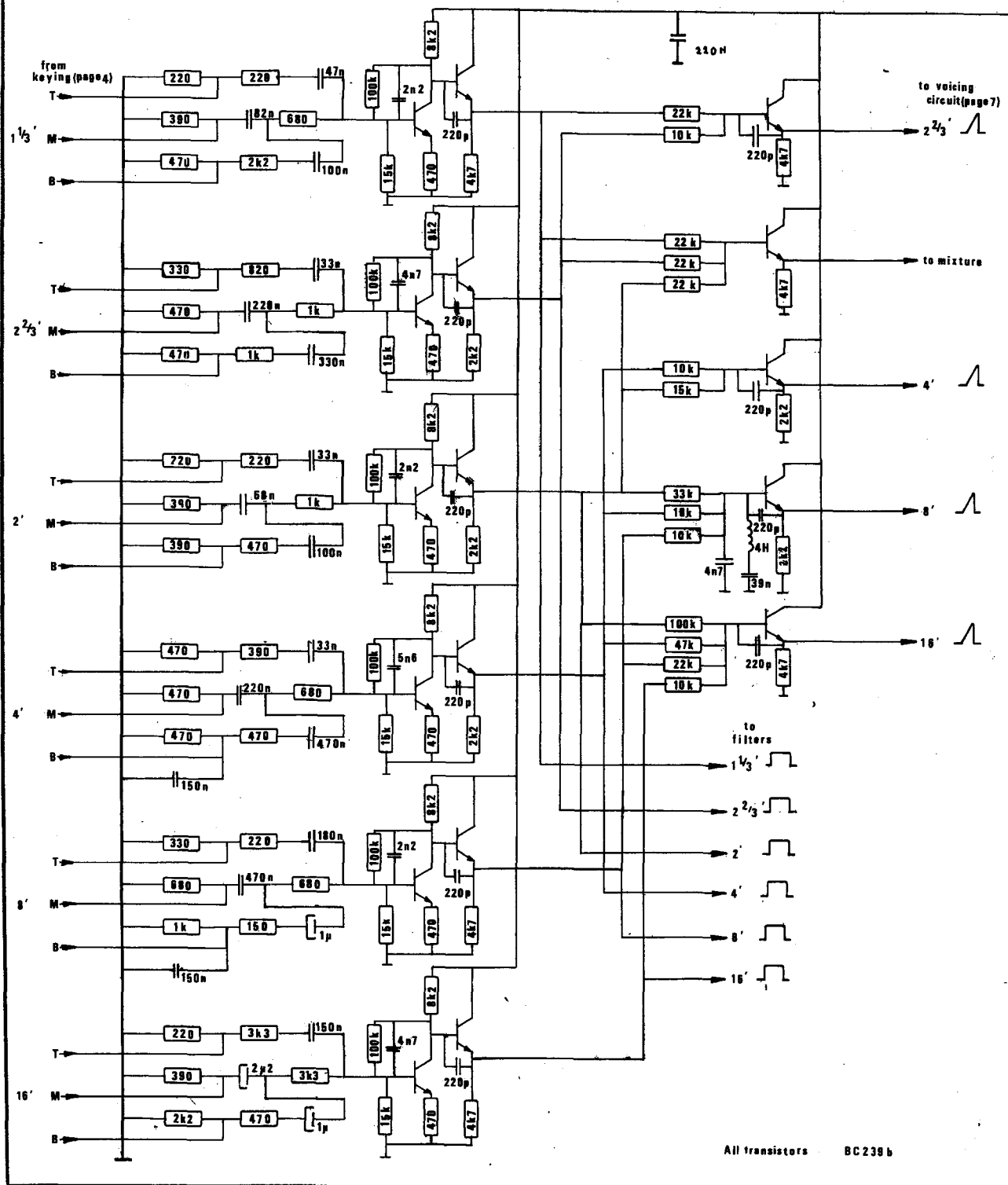
○ 16' man I	1_17	18_42	43_81
○ 16' ped I	1_30		
○ 8' man I	1_23	24_42	43_81
○ 8' man II	1_21	22_30	31_81
○ 8' ped I	1_30		
○ 8' ped II	1_12	13_24	25_36
○ 4' ped I	1_30		

R	C ₁	C ₂	C ₃
1-8 68 k	1-12 33 n	1-30 22 p	1-37 22 p
9-16 56 k	13-24 22 n	31-41 18 p	38-47 18 p
17-24 47 k	25-36 15 n	42-81 4 p 7	48-81 4 p 7
25-32 39 k	37-48 10 n		
33_40 33 k	49-81 8 n R		
41_47 27 k			
48_54 22 k			
55_81 18 k			

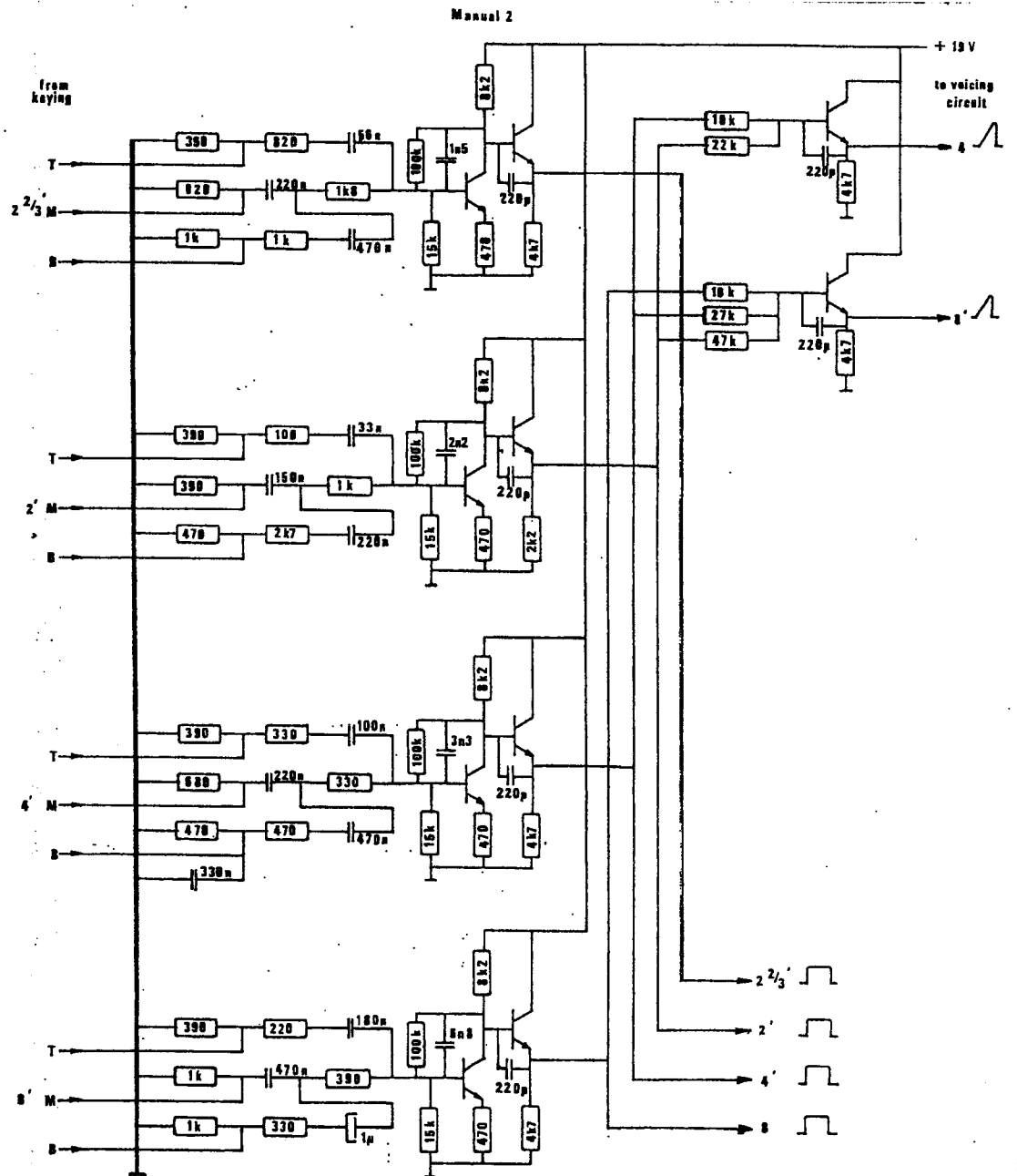
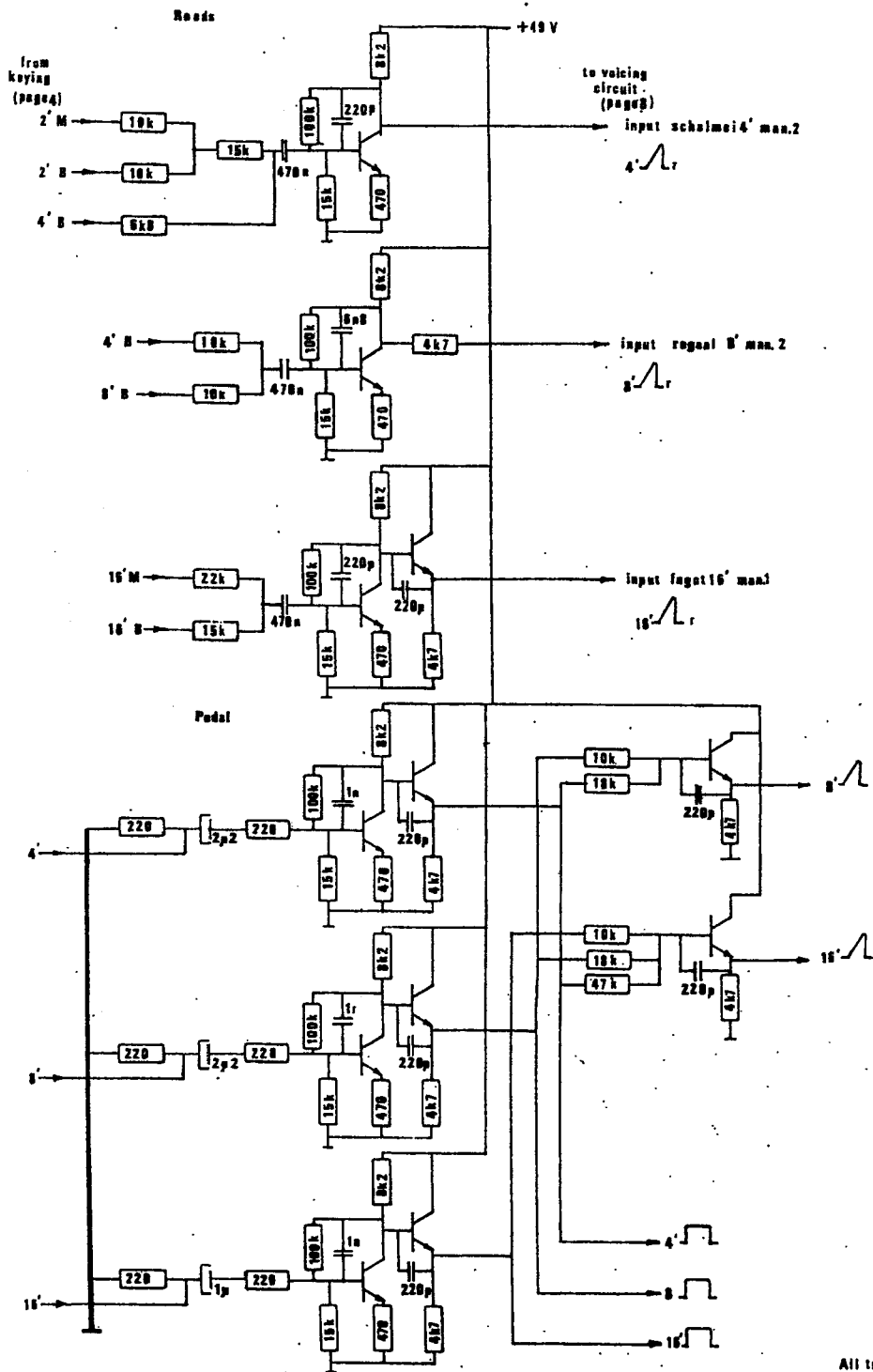
KEYING CIRCUITS

Drawn	Date	Modified	Date	JOHANNUS ORGAN OPUS 6
T v Manna	16 2 79	J Versteeg	23 - 8 - 81	
DESIGN				
J VERSTEEG				
copyright:	JOHANNUS			page:
J VERSTEEG	ORGEL BOMW h.v.			4

morsestraat 28
 8716 AH EDE HOLLAND
 Tel. 02320 1122



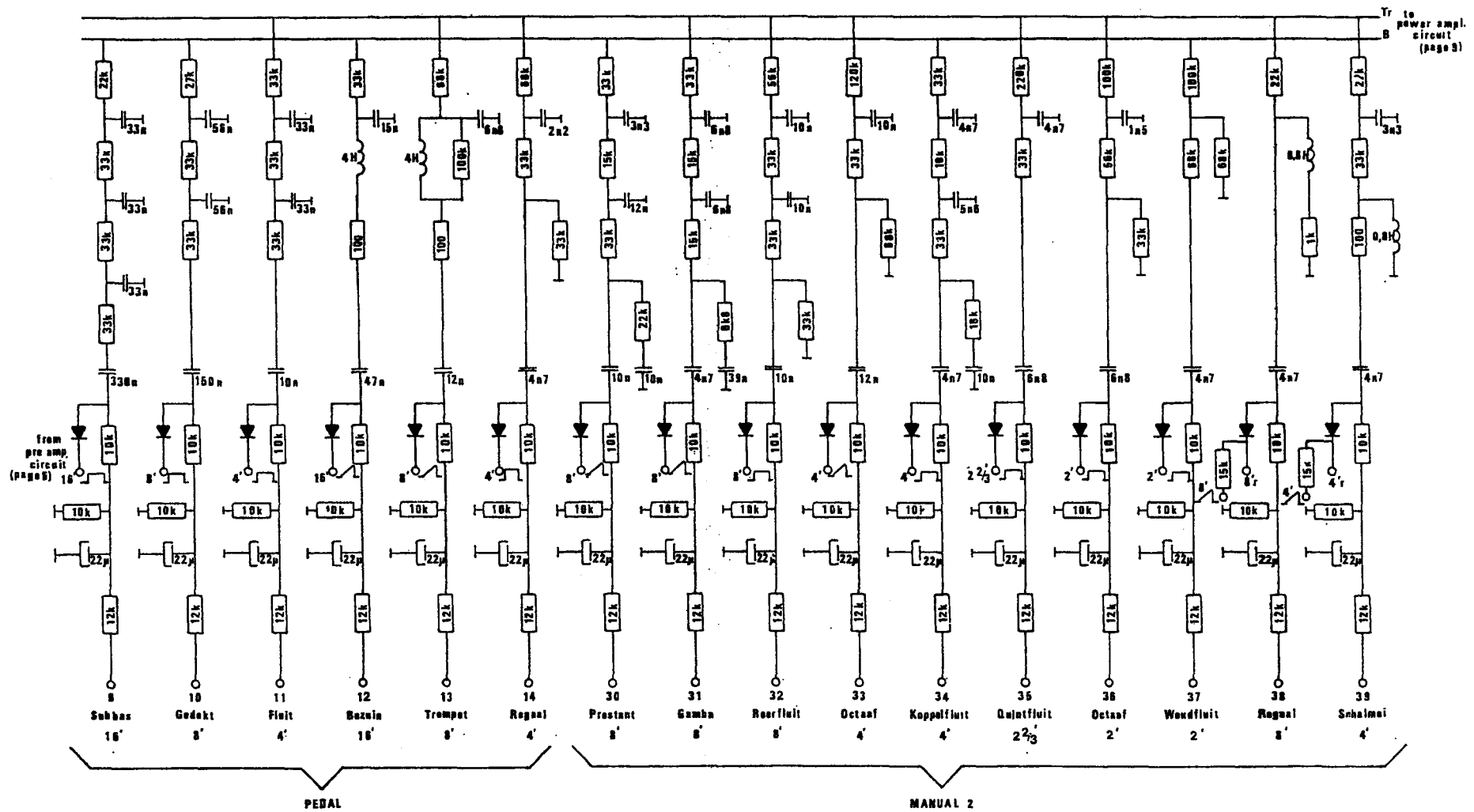
Pre-Amplifiers Manual 1				JOHANNUS ORGAN OPUS 6
Drawn	Date	Modified	Date	
B.J. PETERS	2-4-79	J.Versteegt jr	19-9-80	
DESIGN		J.Versteegt jr	23-8-81	
J. VERSTEEGT				JOHANNUS ORGELBOUW b.v. morsestraat 28 6716 AH EDE HOLLAND Tel. 08380-19148*
copyright:		page:		
J. VERSTEEGT		5		



All transistors BC238B

Pre-Amplifiers Reeds, Pedal and Manual 2

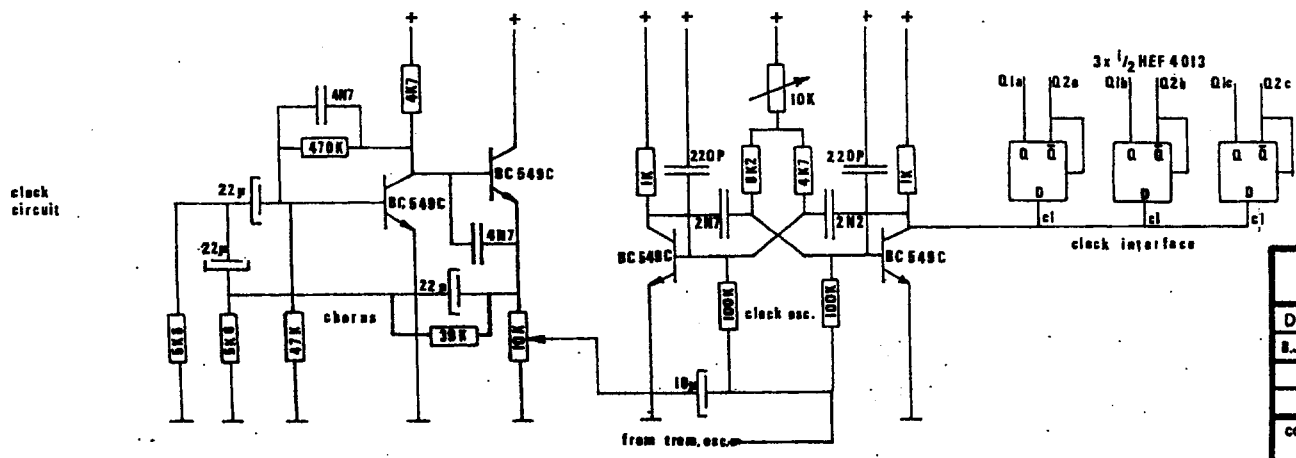
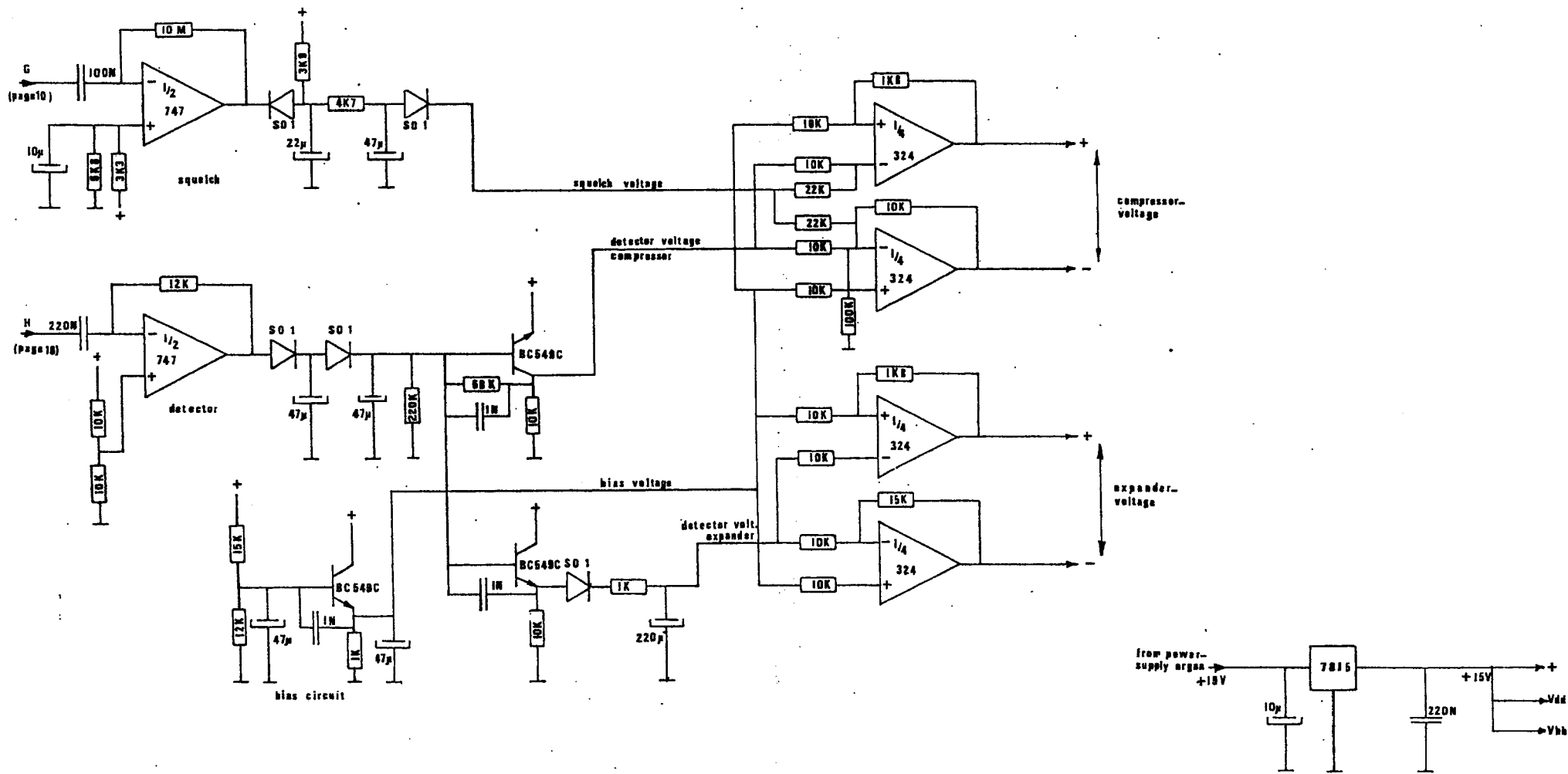
Drawn	Date	Modified	Date	JOHANNUS ORGAN OPUS 6
B.J.PETERS	8-4-79			
DESIGN				
J. VERSTEEGT				
copyright: J. VERSTEEGT.		JOHANNUS ORGELBOUW b.v.		page: 6



All diodes 50 1

Voicing Circuits Pedal and Manual 2

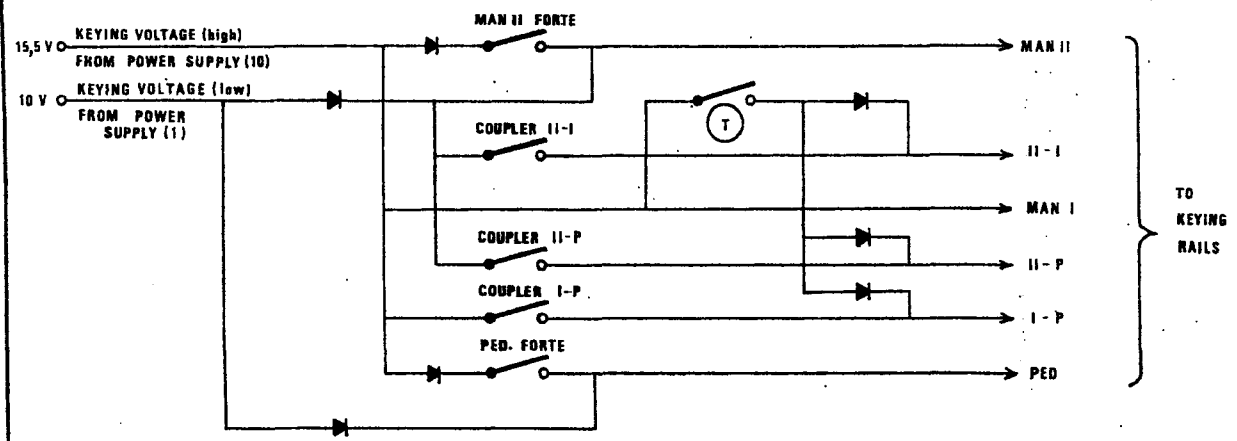
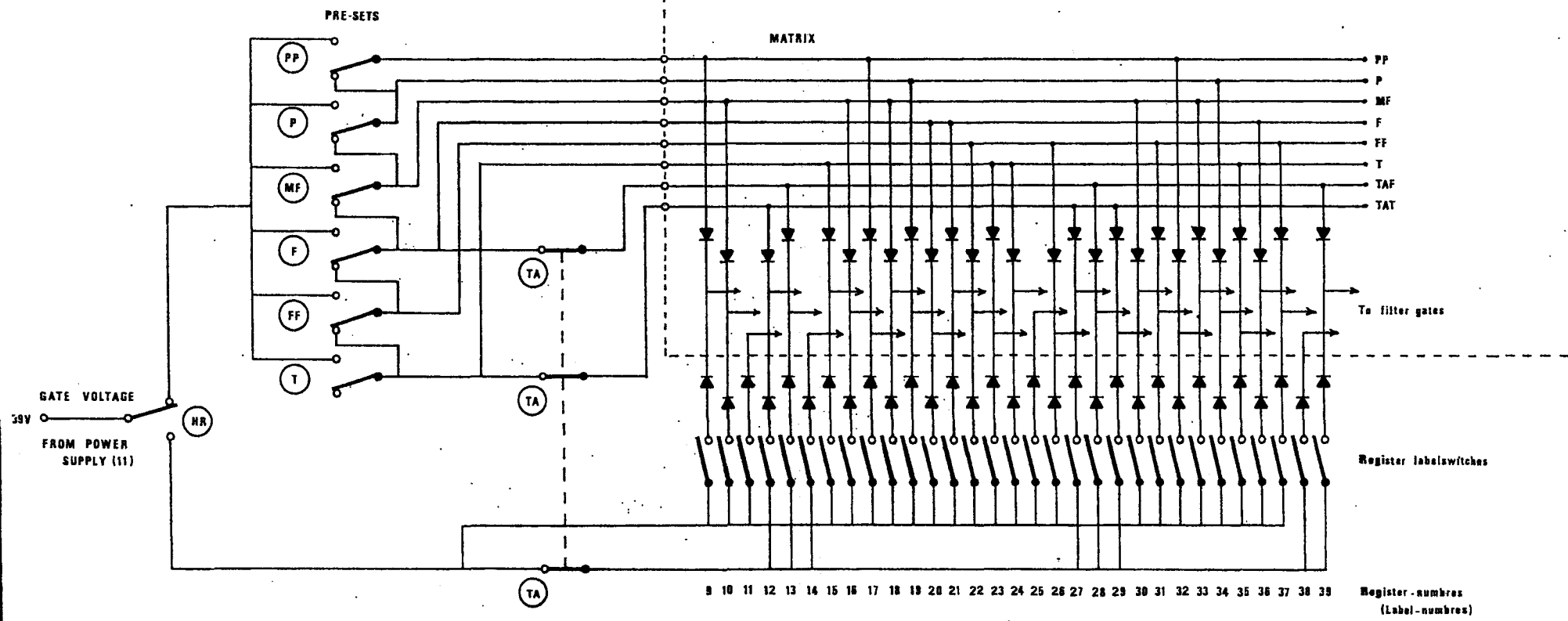
Drawn	Date	Modified	Date	JOHANNUS ORGAN OPUS 6
B. J. PETERS	18-4-78	T v Maas	20-8-80	
DESIGN		J Versteegt jr 19-9-80		
J VERSTEEFT				
copyright:	JOHANNUS		morsestraat 28 6716 AH EDE HOLLAND	page: A



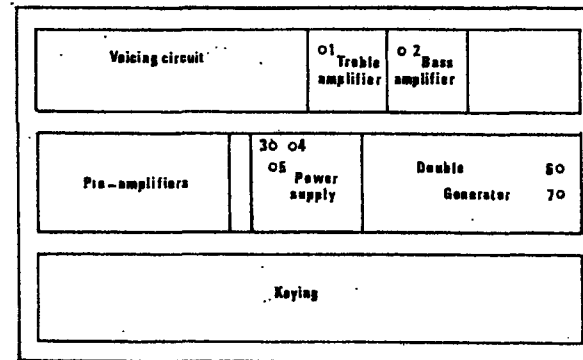
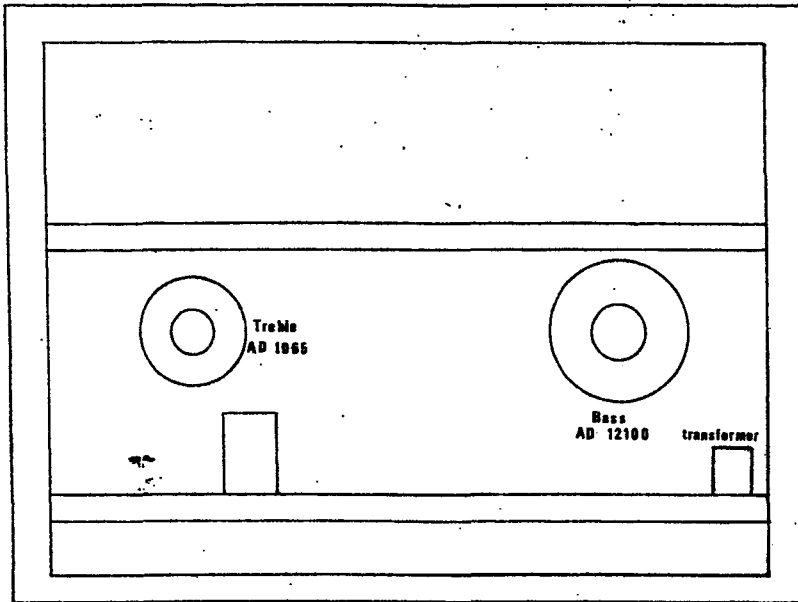
Octraal nr: 78.0211 4 App

CONTROL CIRCUIT OF ECHO UNIT

Drawn	Date	Modified	Date	JOHANNUS ORGAN OPUS 6
B.J.PETERS	18-3-78			
DESIGN				
L.A.B.				
copyright: J. VERSTEEGT		JOHANNUS ORGELBOUW b.v.		moerenstraat 28 6716 AH EDE HOLLAND Tel. 08380-19148*
				page: 11



preset and coupler system			
Drawn	Date	Modified	Date
T v Manen	30 1 78		
DESIGN			
J VERSTEEGT			
copyright:	JOHANNUS	morsestraat 28	page:
J. VERSTEEGT	ORGELBOUW b.v.	8716 AH EDE HOLLAND	12
		Tel. 08380-19148	



CONTROLES

In rack

- 1: Volume: bass ampl.
- 2: Treble
- 3: Transient depth
- 4: Kick depth
- 5: Transient speed
- 6: Tuning gen. 1
- 7: " " 2

back circuit

- 0 : Input
- 8 : Bass output
- 10 : Treble output
- 11 : Feedback
- 12 : Chorus
- 13 : Clock frequency

Adjustments

Drawn	Date	Modified	Date	JOHANNUS ORGAN OPUS 6
B.J. Peters	17-4-78	J. Versteegt	5-8-78	
DESIGN				
J. Versteegt				
copyright:	JOHANNUS	morsestraat 28	page:	
		6718 AH EDE HOLLAND		